

KFC-XW1012DVC

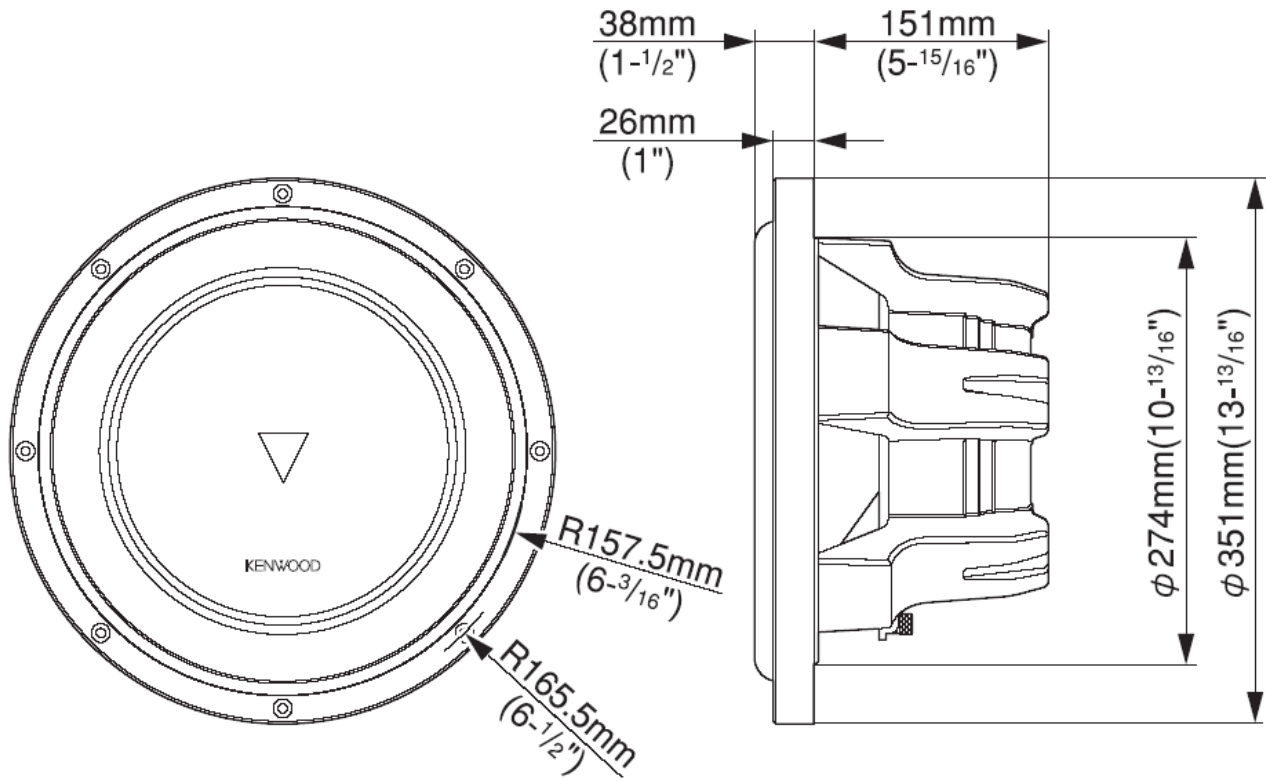
KFC-XW1212DVC

Specifications

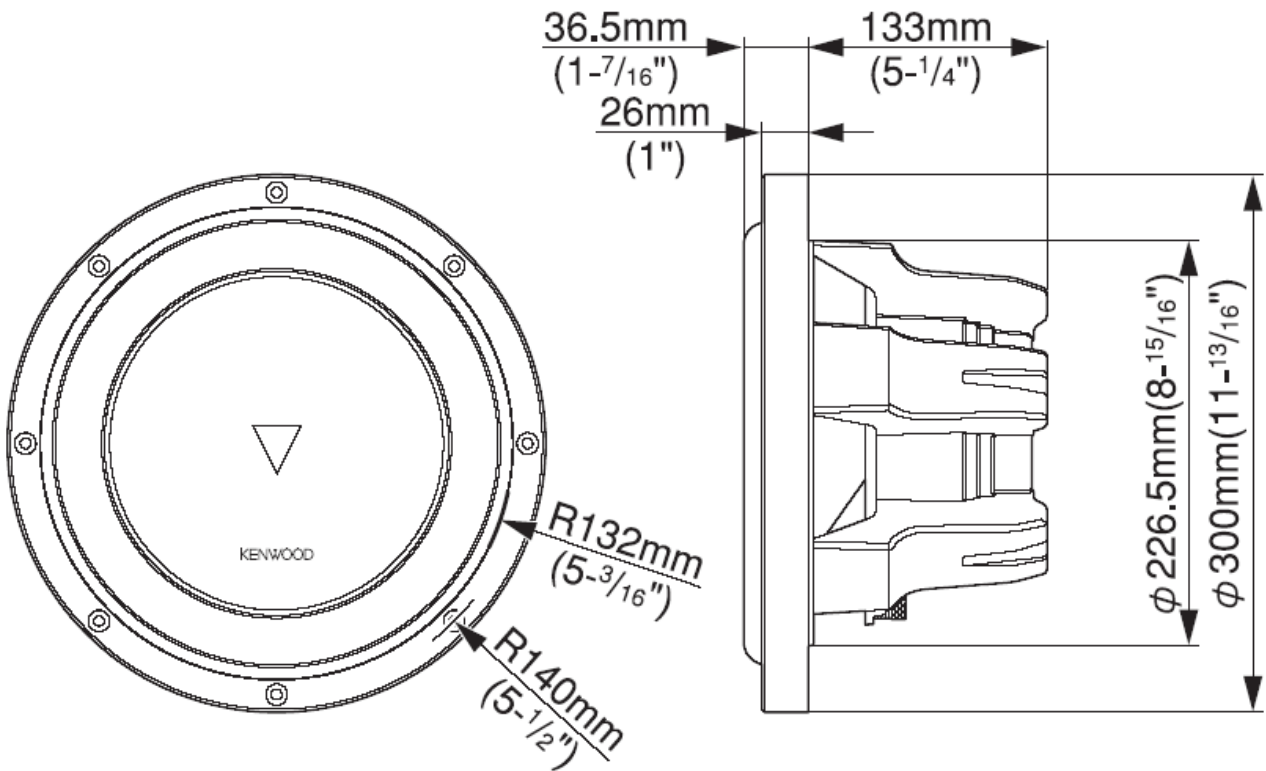
	KFC-XW1212DVC	KFC-XW1012DVC
Subwoofer	300 mm (12") Carbon PP Cone	250 mm (10") Carbon PP Cone
Nominal Impedance	2 + 2 Ω (Dual Voice Coil)	2 + 2 Ω (Dual Voice Coil)
Peak Input Power	1200 W	1000 W
Rated Input Power	300 W	250 W
Sensitivity	93 dB/W at 1 m	91 dB/W at 1 m
Free Air Resonance	23 Hz	34 Hz
Frequency Response	20 - 400 Hz	27 - 400 Hz
Net Weight	7,900 g	5,800 g

Dimensions

KFC-XW1212DVC



KFC-XW1012DVC



Technical specifications

KFC-XW1212DVC

	SYMBOL	UNIT	KFC-XW1212DVC
Nominal Impedance	Z	Ω	2 + 2
DC Resistance	Revc	Ω	1.8 + 1.8
Voice Coil Inductance	Levc	mH	3.7
Piston Area	Sd	sq.m	0.0552
Force Factor	BL	T·m	9.4
Volume Acoustic Compliance	Vas	liter	94.16
		cu.ft	3.323
Moving Mass	Mms	g	220
Resonance Frequency	Fs	Hz	23
Mechanical Q Factor	Qms		4.51
Electrical Q Factor	Qes		0.36
Total Q Factor	Qts		0.33
Peak Power		W	1,200
Peak Excursion	Xmax	mm	6.4
Displacement		cc	1,890
		cu.ft	0.067
Mounting Depth		mm (in.)	151 (5 - ¹⁵ / ₁₆)
Weight of Magnet		g (oz)	2,420 (85.2)
Voice Coil Diameter		mm (in.)	65 (2 - ⁹ / ₁₆)

Technical specifications

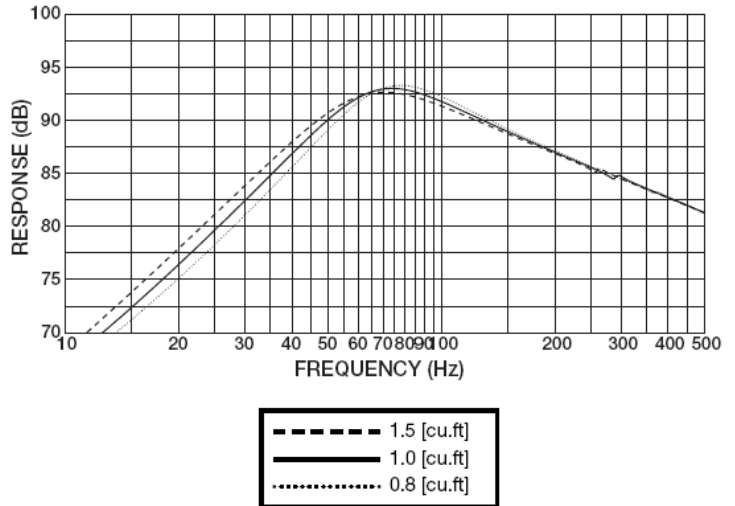
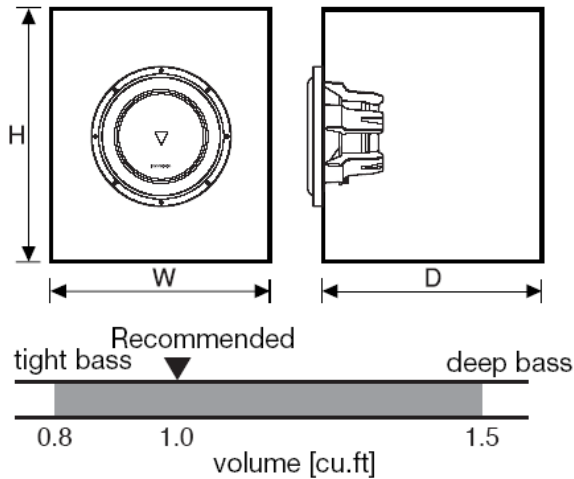
KFC-XW1012DVC

	SYMBOL	UNIT	KFC-XW1012DVC
Nominal Impedance	Z	Ω	2 + 2
DC Resistance	Revc	Ω	1.8 + 1.8
Voice Coil Inductance	Levc	mH	3.0
Piston Area	Sd	sq.m	0.0380
Force Factor	BL	T·m	7.4
Volume Acoustic Compliance	Vas	liter	37.25
		cu.ft	1.315
Moving Mass	Mms	g	121.5
Resonance Frequency	Fs	Hz	34
Mechanical Q Factor	Qms		4.15
Electrical Q Factor	Qes		0.42
Total Q Factor	Qts		0.38
Peak Power		W	1,000
Peak Excursion	Xmax	mm	6
Displacement		cc	980
		cu.ft	0.035
Mounting Depth		mm (in.)	133 (5 - 1/4)
Weight of Magnet		g (oz)	1,700 (59.8)
Voice Coil Diameter		mm (in.)	52 (2 - 1/16)

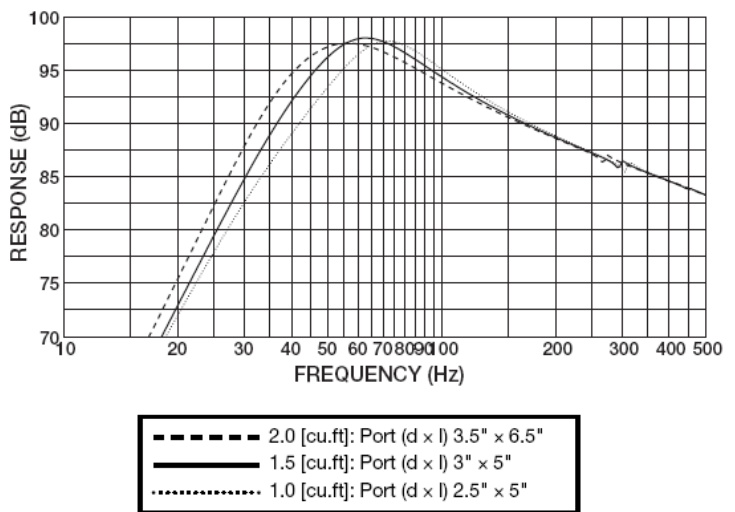
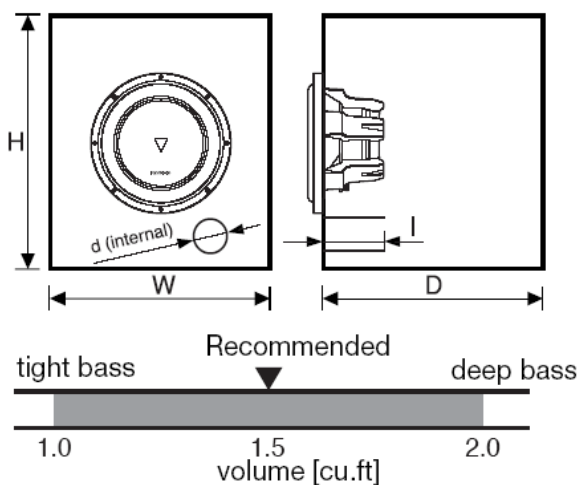
Recommended Enclosures

KFC-XW1212DVC

SEALED



PORTED



Recommended Enclosures

*W, H, D.....External Dimensions

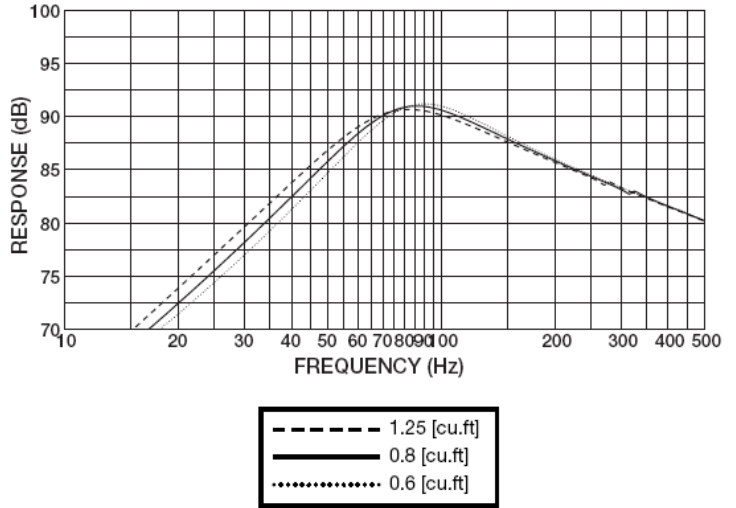
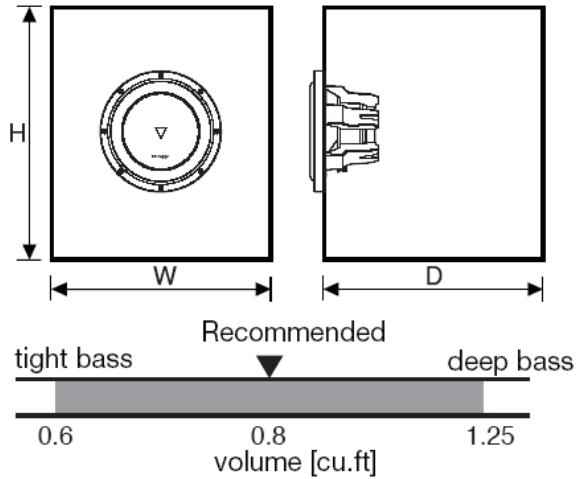
Model Name	Volume	W	H	D	Mounting Hole	Port Diameter d	Port Length l	Displacement
KFC-XW1212DVC	1.0	375 (14 - 5/8)	350 (13 - 5/8)	360 (14)	274 (10-13/16)	Sealed	Sealed	0.067
	1.5	450 (17 - 9/16)	400 (15 - 5/8)	350 (13 - 5/8)		76 (3)	127 (5)	
(unit)	cu.ft	mm (in.)						cu.ft

Use 21 mm or 3/4 inch thick Medium Density Fiberboard (MDF) or High Density Particleboard.

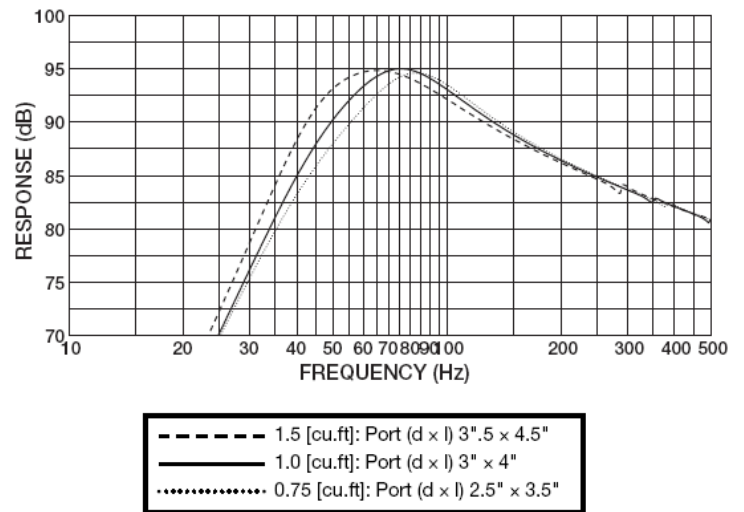
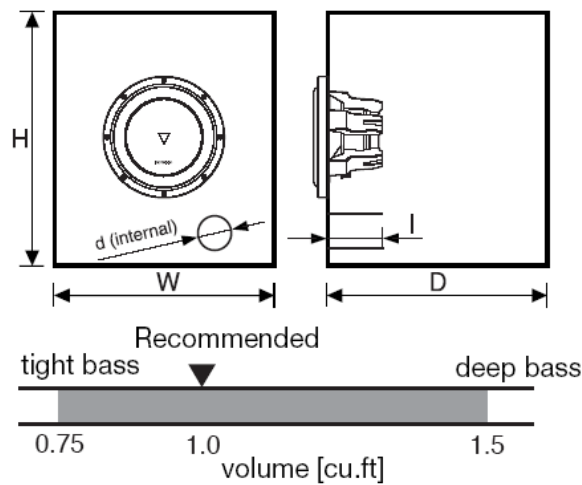
Recommended Enclosures

KFC-XW1012DVC

SEALD



PORTED



Recommended Enclosures

*W, H, D.....External Dimensions

Model Name	Volume	W	H	D	Mounting Hole	Port Diameter d	Port Length l	Displacement
KFC-XW1012DVC	0.8	350 (13 - 5/8)	320 (12 - 7/16)	330 (12 - 13/16)	226.5 (8-15/16)	Sealed	Sealed	0.035
	1.0	350 (13 - 5/8)	425 (16 - 9/16)	300 (11 - 11/16)		76 (3)	102 (4)	
(unit)	cu.ft	mm (in.)						cu.ft

Use 21 mm or 3/4 inch thick Medium Density Fiberboard (MDF) or High Density Particleboard.